

CSE5-100301

Description:

EE5 Surface mounting design
 Height: 5.3mm Max
 Optimal performance at 250 kHz and above
 Primary Current Rating: 10 amps
 Insulation Resistance: 10MΩ Minimum
 Operating Temperature Range: -15°C to +105°C
 Custom designs available

Application:

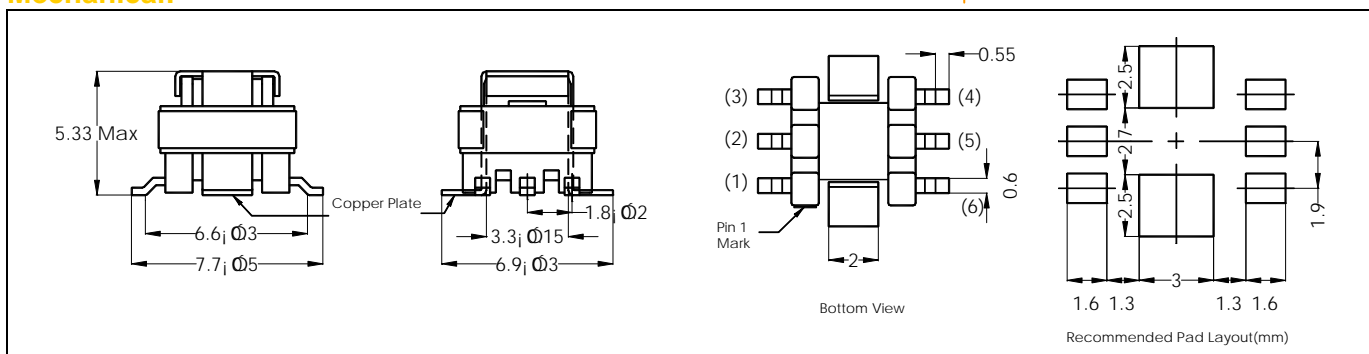
Ac current detection
 Output supply for control circuit
 Switching Power Supply



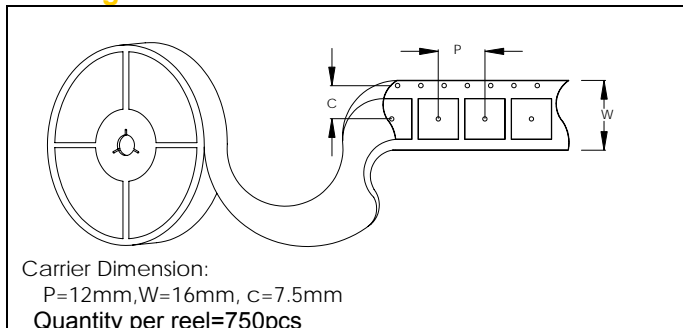
Electrical Specifications @ 25C

Turns N1:N2	Secondary Min Inductance (μH)	Secondary Max DCR (mΩ)	Color Code	
			Dot	Tape
1:30	180	870	YEL	YEL

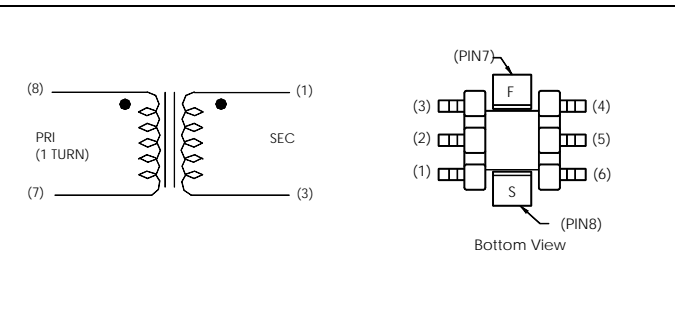
Mechanical:



Packing:



Schematic:



RoHS Compliance: As of manufacturing date February 2005, all standard products meet the requirements of 2002/95/EC, known as the RoHS initiative.